



China Yunnan Kunming Heavy Mining Machinery Co.,LTD

## Brief Intro of IMPACT CRUSHER



# IMPACT CRUSHER

**Kunming Heavy Mining Machinery Co.,LTD**

INTERNATIONAL DEPT: +86-871-3540976 (in Chinese)

+86-13508712656(in English)

Address: No1, NE&T Development Zone, Kunming City, Yunnan Province, China

Website: <http://www.kunmingzhongji.com>

MSN Online: Rockeyhan@hotmail.com

E-Mail: support@kunmingzhongji.com

## Application of Impact Crusher

Widely applied in mining production line, transportation and high-way construction, chemical production industry, this series of IMPACT CRUSHER designed by Kunming Heavy Mining Machinery Co.,LTD(K.M.M) is the ideal device for crushing with the reasonable structure, high productivity, easy operation and maintenance and safe performance, and the most important advantage of the end product powder is in the wonderful cubic shape.

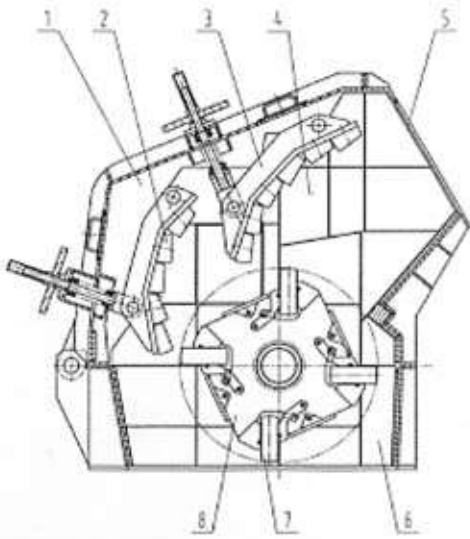
## Features and Benefits of Impact Crusher

1. high-efficiency and energy-save conservation
2. The high-chromium Flat Hammer
3. Special designed impact plate
4. Simplified structure and crushing process
5. The final products in Cubic Shape
6. Adjustable discharge opening,

## Working principle of Impact Crusher

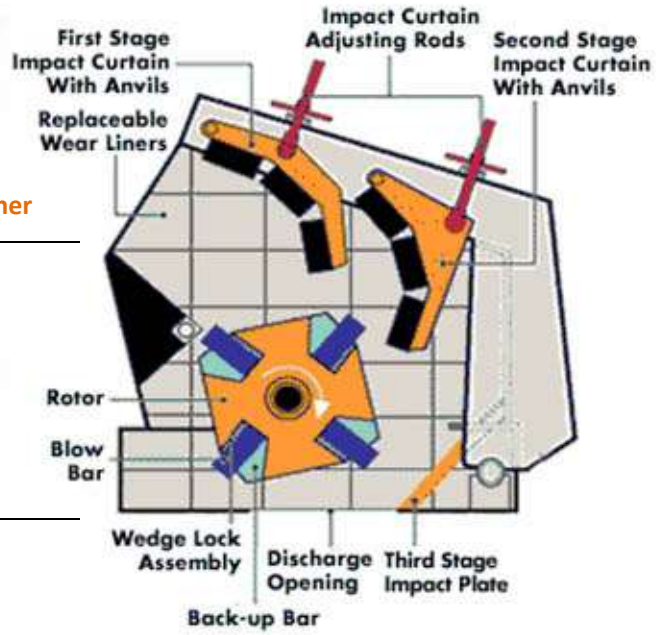
Driven by electric motor, the rotor rotates in high speed during the process of operating and sticks material with the Flat Hammer(the first crushing), and then the material is countered to the liner for the second crushing, after that, the material crushed is discharged through the discharge opening at the bottom, and the size and shape of the finished powder can be changed by adjusting the gap between the impact rack and rotor support.





**The Structure of Impact Crusher**

1. Rear Case
2. Impact Plate
3. Impact Rack
4. Liner Plate
5. Feed Opening
6. Frame
7. Blow Bar
8. Rotor Support



**The Technical Parameter of Impact Hammer**

Type	Spec.	Feeder Opening(mm)	Feeding Size (mm)	Crushing Capacity (t/h)	Motor Power (KW)	Weight (t)
PF-1007	Φ1000×700	400×700	300	35-50	37-55	9.45
PF-1010	Φ1000×1050	400×1080	350	50-80	55-75	12.6
PF-1210	Φ1250×1050	400×1080	350	70-120	110-132	14
PF-1214	Φ1250×1400	400×1430	350	80-160	132-160	18.58
PF-1315	Φ1300×1500	860×1520	500	160-260	180-260	24.2



**Kunming Heavy Mining Machinery Co.,LTD** (China Gravel Equipment Expert)

Address: No1, NE&T Development Zone, Kunming City, Yunnan Province, China

Technical Support: +86-3540976 +86-13508712656

Website: <http://www.kunmingzhongji.com>

MSN Online: [Rockeyhan@hotmail.com](mailto:Rockeyhan@hotmail.com)

E-Mail: [support@kunmingzhongji.com](mailto:support@kunmingzhongji.com)